

WEO®

co-extruded composite cladding



Fiberdeck®



Co-extruded composite cladding guaranteed to be free of discolouration!

WEO® is a co-extruded false open-joint composite wood cladding. Its trapezoidal profile also enables both horizontal and vertical installation.

The coating of the composite wood with a polyethylene film over its entire surface ensures protection against any moisture pick-up.

It is also not sensitive to stains and discolouration.

The false open-joint boards are screwed in with only 1 stainless steel screw per fastening point, thus ensuring quick and reliable installation. Boards may be easily adjusted with respect to each other thanks to an adjustable gap.





A very realistic wood look with intense matte colours. Multi-chromatic colour variations within a single board give rhythm to the façade and an incomparable warm appearance.

* ($\Delta E < 5$) - Accelerated ageing test, discolouration invisible to the naked eye.

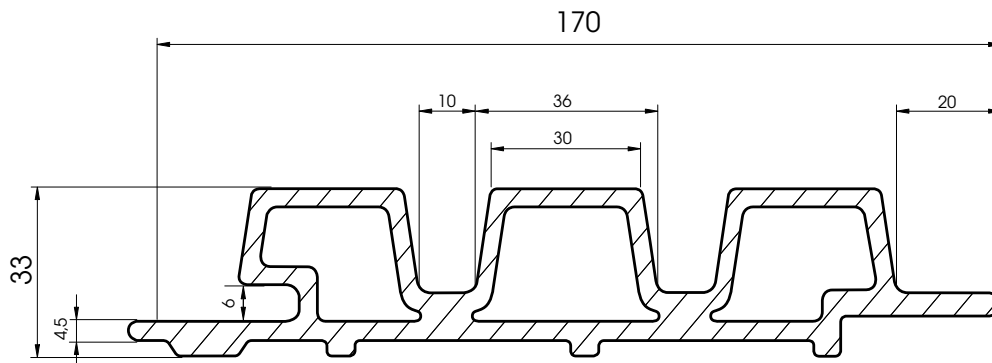


WEO® range

BOARDS					
Reference	Profile	Colour	Description	Size	Unit weight in Kg
0942		 Beige brown	Co-extruded composite cladding board WEO®	33 x 170 x 3600 mm	7.52 kg
0943		 Terra brown			
0944		 Stone grey			
0945		 Traffic grey			

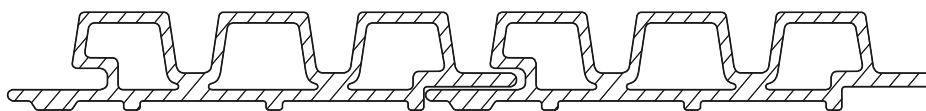
SCREWS					
Reference	Profile	Colour	Description	Size	Unit weight in Kg
0946		 Beige brown - RAL 8024	NCS-5-6020-Y30R	4.2 x 38 mm	4.0 kg
0947		 Terra brown - RAL 8028	NCS-5-810-Y50R		
0948		 Stone grey - RAL 7030	NCS-5-5005-Y20R		
0949		 Traffic grey - RAL 7043	NCS-5-7500-N		

Technical characteristics



Surface area of a board (effective)	0.504 m ²
Area density	15 kg/m ²
Total width	170 mm
Effective width	140 mm
Standard length	3600 mm

Number of waves per board	3
Total wave length	46 mm
False open-joint width	30 mm
Depth of waves	20 mm



	No. of screws / m ²	No. of screws / 3.6 m board
Centre-to-centre distance 60 cm	16	7
Centre-to-centre distance 40 cm	23	10



6 essential points

AESTHETICS

Open-joint décor composed of small, thin and regular waves. A unique appearance, combining a warm-to-the-touch material with intense colours and varied multi-chromatic tints similar to natural wood. Invisible fastening with screw heads that are the same colour as the boards. No identical boards, no repetitive décor.

GUARANTEED FREE OF DISCOLOURATION

The co-extrusion technique protects the composite material with a polyethylene film. The unique and exclusive formula of the polymer layer for surface protection guarantees that there will be no discolouration. Maintenance is also greatly reduced.

RESISTANT & STABLE

Rot-proof, 100% resistant to termites, without moisture pick-up. Protection reinforced by a polymer film over all 4 faces of the cladding board. Very good size stability with 1.15 mm/ml (30° temperature Δ). Good resistance to impacts.

ECOLOGICAL

High-tech polymer wood, composed of 50% sawdust and 50% recycled polyethylene. No toxic products, no glue or heavy metals. Manufactured from 95% recycled materials. WEO® cladding boards are also 100% recyclable. An ecological alternative to tropical wood. An environmentally friendly product.

QUICK & EASY TO INSTALL

WEO® board: 140 mm of effective width x 3.6 m, i.e. 0.5 m² for only 7 kg. Vertical and horizontal installation. Fastening on battens with 40 to 60 cm centre-to-centre distance. Traditional interlocking of stop boards with adjustment possible at the root. One screw per board at base of groove, practically invisible.

PERFECTLY ADAPTED TO ETICS

The WEO® profile is adapted to all types of ETICS (External Thermal Insulation Composite Systems): new buildings, renovation of older ones, and all types of insulation. Boards can all be disassembled and reassembled to facilitate maintenance operations.

